



SUZHOU TOSEVEN NEW ENERGY TECHNOLOGY CO.,LTD.

GROW YOUR BUSINESS WITH TO7MOTOR

Headquarter

Suzhou Toseven New Energy Technology Co., Ltd.

Add: No. 36, Tianedang Road, Yuexi Town, Wuzhong District, Suzhou City, Jiangsu, China.

Zip: 215100

Tel: 0512-66385874 0512-66383154 0512-66380864

Fax: 0512-66385434

Website: <http://www.to7motor.com>

Shenzhen Office

Room 505, Beihuan Business Building, 227 Changchun North Road, Gongming Street, Guangming District, Shenzhen, China.

Mr Chen Tel:+86 138 2651 5680 +86 181 2381 1568

Tianjin Office

10-1 Dongpeng Zhigu, Shuangjie Town, Beichen District, Tianjin, China.

Mr Ye Tel:+86 133 5201 7167

USA. Office

23122 Alcalde Suite C, Laguna Hills, Ca 92620. Tel:949-4194973

EU. Office

Douglas Water Church, Ayr road, Lanark, Scotland, Mil 119 NP. Tel:44-7541097829



GROW YOUR BUSINESS
WITH T07MOTOR



Company Profile

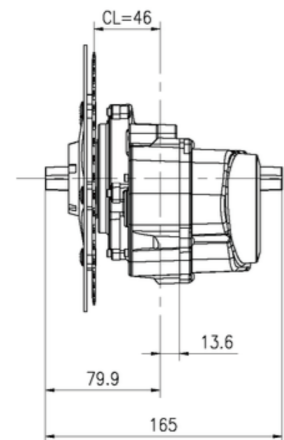


Suzhou Toseven New Energy Technology Co., Ltd. is a professional electric bicycle motor manufacturer that integrating R&D, production, market and after-sales departments. Our R&D team is composed of many top technical experts who have been in the industry of E-bike motor for more than 30 years. Our current products cover e-MTB, e-city, e-fat, e-tricycles, mini e-folding, e-wheelchairs, e-cargo motors, e-forklift motors, and many special-purpose motors designated for customers.

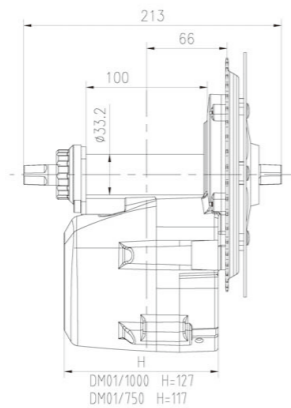
Adhering to the tenet of "service first, quality first", Suzhou Toseven New Energy Technology Co., Ltd. provides customers with perfect motor products and mature electronic control drive systems; with the creed of "seek agreement while shelving differences", we actively take part in home and abroad technical exhibitions to provide customers with the best and newest technical information services; we will always develop with customers with our honest attitude and innovative spirit.



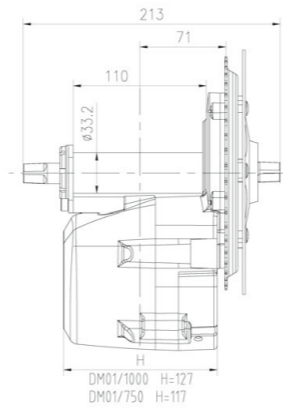
DM03



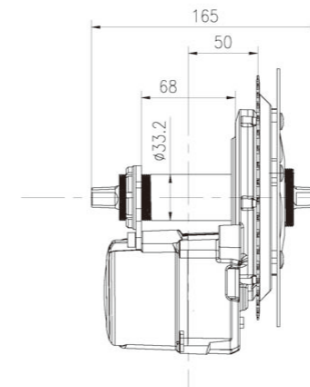
DM01L



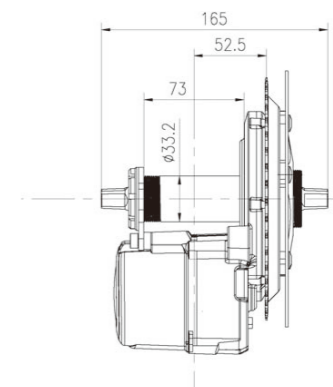
DM01S



DM02L



DM02S



DIY Mid-motor Series	DM03	DM01L	DM01S
Colour	black/silver	black/silver	black/silver
Installation site	mid	mid	mid
Applied for E-bikes	e-City,e-MTB,e-Cargo	e-City,e-MTB,e-Cargo	e-City,e-MTB,e-Cargo
Cable routing	side-left	side-left	side-left
Cable length(mm)	350	350	350
Crankset	left & right	left & right	left & right
Torque sensor	available	available	negative
Speed sensor	available	available	available
Displayer	common	colourful	colourful
Chainline(mm)	46/79.9	66/75; 71/80	50/59 ; 52.5/61.5
BB axle size(mm)	*	68-120	68-120
Wheel size(inch)	20/26/28/700C	20/26/28/700C	20/26/28/700C
Voltage(Vdc)	36, 48, 52, 60	36, 48, 52, 60	36, 48, 52, 60
Rated power(W)	250, 350	750, 1000	750, 1000
Max speed(RPM)	140	160	160
Max torque(N.m)	90	160	160
Reduction ratio	42.7:1	40.27:1	40.27:1
Applied chainset	42T (38T~54T)	46T (38T~54T)	46T (38T~54T)
Efficiency(%)	≥80	≥80	≥80
Work Temperature(°C)	-20~50	-20~50	-20~50
Noise items(dB)	< 55	< 55	< 55
Weight(kg)	3.5 / 3.6	5.8 / 6.0	5.8 / 6.0
Waterproof Level	IP65	IP65	IP65
Shell material	aluminium alloy	aluminium alloy	aluminium alloy

DIY Mid-motor Series	DM02L	DM02S
Colour	black/silver	black/silver
Installation site	mid	mid
Applied for E-bikes	e-City,e-MTB,e-Cargo	e-City,e-MTB,e-Cargo
Cable routing	side-left	side-left
Cable length(mm)	350	350
Crankset	left & right	left & right
Torque sensor	available	negative
Speed sensor	available	available
Displayer	common	common
Chainline(mm)	66/75; 71/80	50/59 ; 52.5/61.5
BB axle size(mm)	68-110	68-110
Wheel size(inch)	20/26/28/700C	20/26/28/700C
Voltage(Vdc)	36, 48, 52, 60	36, 48, 52, 60
Rated power(W)	250, 350, 500	250, 350, 500
Max speed(RPM)	100	100
Max torque(N.m)	90	90
Reduction ratio	53:1	53:1
Applied chainset	42T / 46T	42T / 46T
Efficiency(%)	≥80	≥80
Work Temperature(°C)	-20~50	-20~50
Noise items(dB)	< 55	< 55
Weight(kg)	3.8 / 3.9	3.8 / 3.9
Waterproof Level	IP65	IP65
Shell material	aluminium alloy	aluminium alloy

D79-140QL

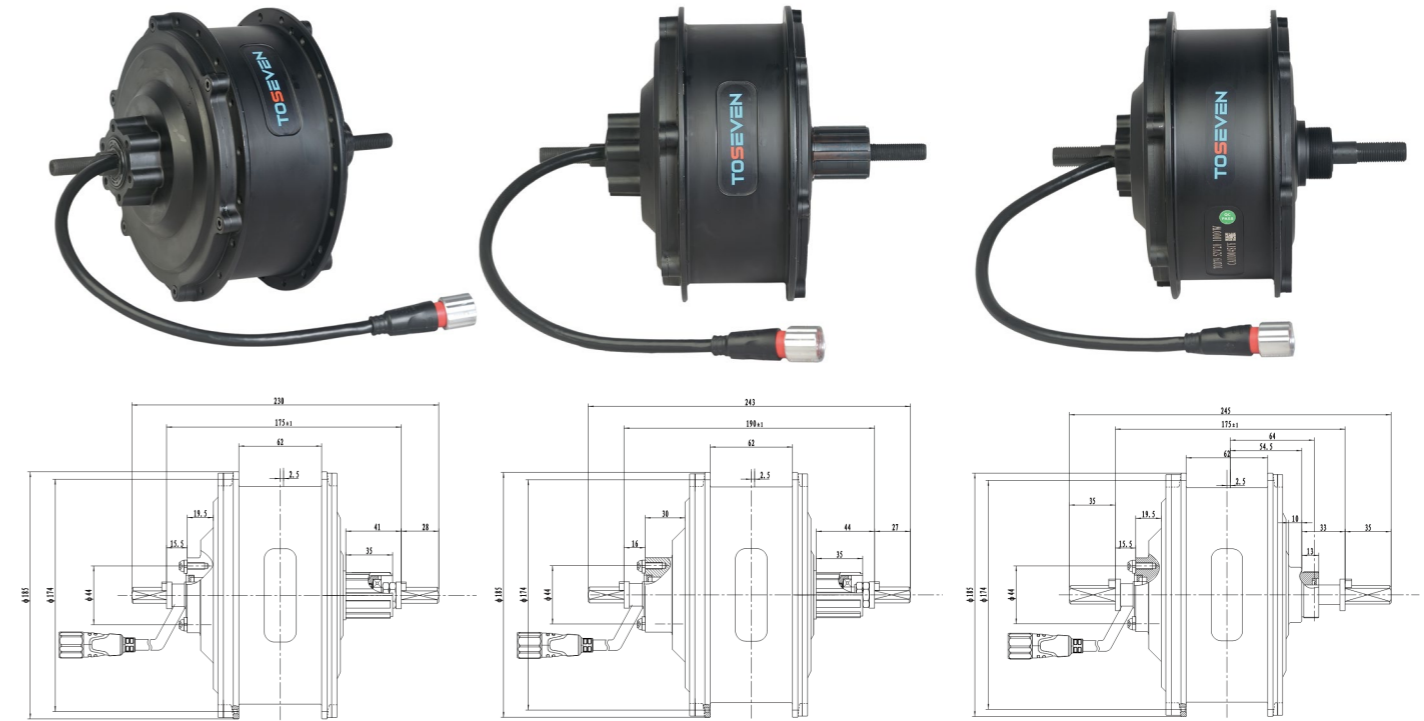
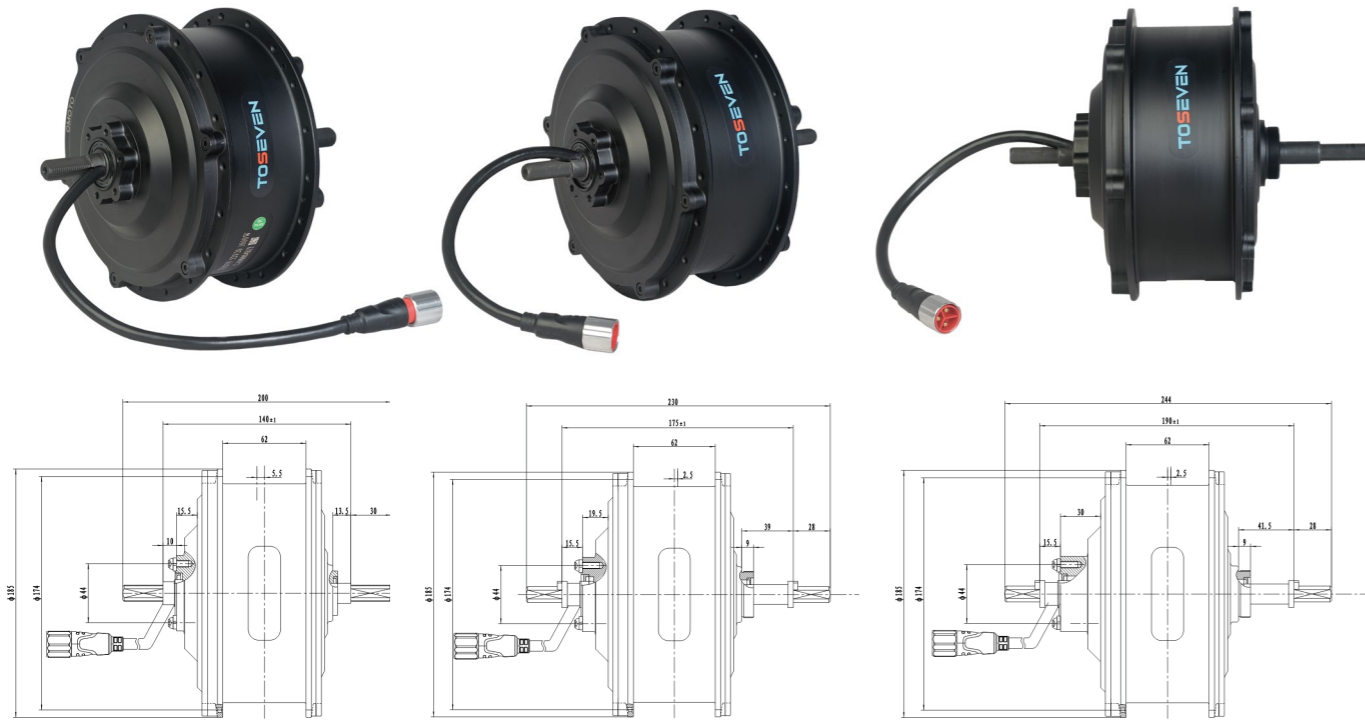
D79-175XL

D79-190XL

D79-175KL

D79-190KL

D79-175PL(belt pulley)



D79 Series	D79-140QL	D79-175XL	D79-190XL
Colour	black/silver	black/silver	black/silver
Installation site	front	rear	rear
Applied for E-bikes	e-Cargo,e-Fat,	e-Cargo,e-Fat,	e-Cargo,e-Fat,
Cable routing	side-left	side-left	side-left
Cable length(mm)	200	200	200
Sprocket wheel	N.A.	6~7	6~7
Brake style	Disk-brake	Disk-brake	Disk-brake
Spokes holes	36H	36H	36H
Spokes size	13G/12G	13G/12G	13G/12G
Spokes central distance(mm)	174	174	174
Open size(mm)	140	175	190
Wheel size(inch)	20/26/28/700C	20/26/28/700C	20/26/28/700C
Voltage(Vdc)	48, 52, 60, 72	48, 52, 60, 72	48, 52, 60, 72
Rated power(W)	1000,1500,2000	1000,1500,2000	1000,1500,2000
Max speed(km/h)	50, 55, 60	50, 55, 60	50, 55, 60
Max torque(N.m)	>110	>110	>110
Reduction ratio	5.8:1	5.8:1	5.8:1
Magnet items(pcs)	16	16	16
Speed sensor(pcs)	1~6	1~6	1~6
Efficiency(%)	≥80	≥80	≥80
Work Temperature(°C)	-20~45	-20~45	-20~45
Noise items(dB)	< 55	< 55	< 55
Weight(kg)	5.9	6.0	6.1
Waterproof Level	IP65	IP65	IP65
Shell material	aluminium alloy	aluminium alloy	aluminium alloy

D79 Series	D79-175KL	D79-190KL	D79-175PL(belt pulley)
Colour	black/silver	black/silver	black/silver
Installation site	rear	rear	rear
Applied for E-bikes	e-Cargo,e-Fat,	e-Cargo,e-Fat,	e-Cargo,e-Fat,
Cable routing	side-left	side-left	side-left
Cable length(mm)	200	200	200
Sprocket wheel	8~10	8~10	single
Brake style	Disk-brake	Disk-brake	Disk-brake
Spokes holes	36H	36H	36H
Spokes size	13G/12G	13G/12G	13G/12G
Spokes central distance(mm)	174	174	174
Open size(mm)	175	190	175
Wheel size(inch)	20/26/28/700C	20/26/28/700C	20/26/28/700C
Voltage(Vdc)	48, 52, 60, 72	48, 52, 60, 72	48, 52, 60, 72
Rated power(W)	1000,1500,2000	1000,1500,2000	1000,1500,2000
Max speed(km/h)	50, 55, 60	50, 55, 60	50, 55, 60
Max torque(N.m)	>110	>110	>110
Reduction ratio	5.8:1	5.8:1	5.8:1
Magnet items(pcs)	16	16	16
Speed sensor(pcs)	1~6	1~6	1~6
Efficiency(%)	≥80	≥80	≥80
Work Temperature(°C)	-20~45	-20~45	-20~45
Noise items(dB)	< 55	< 55	< 55
Weight(kg)	6.1	6.2	6.1
Waterproof Level	IP65	IP65	IP65
Shell material	aluminium alloy	aluminium alloy	aluminium alloy

D7-135QL

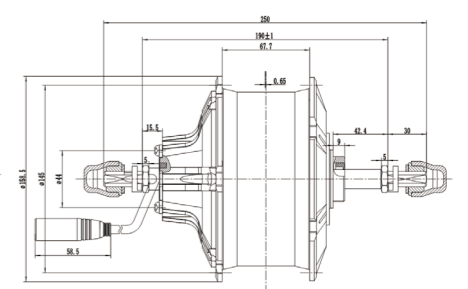
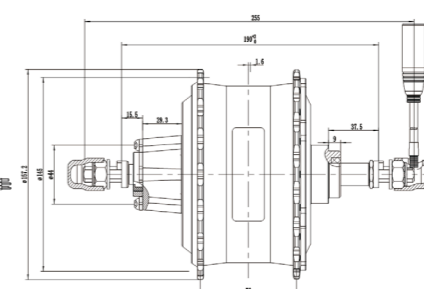
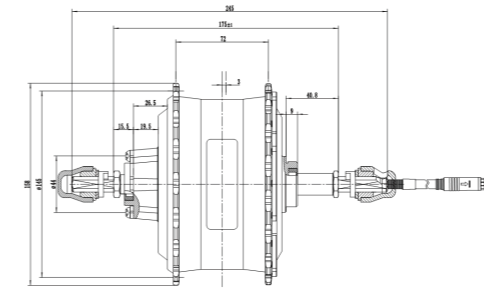
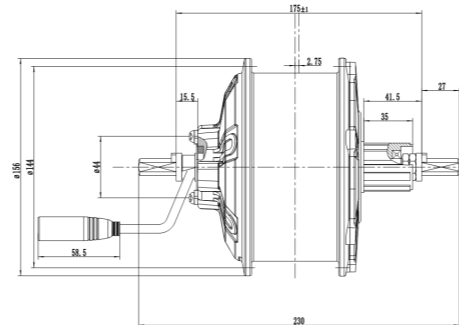
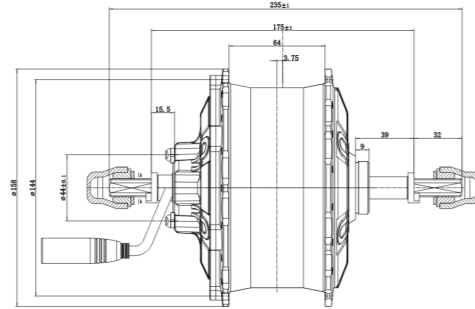
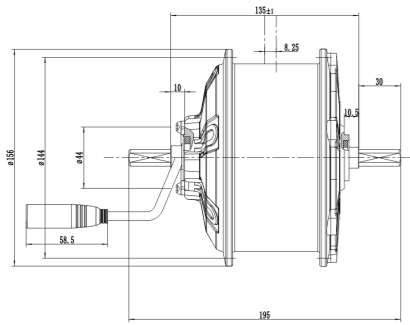
D7-175XL/190XL-S

D7-175KL/190KL

S7-175XR-D

S7-190XR-D

S7-175XL/190XL



D7 Series	D7-135QL	D7-175XL/190XL-S	D7-175KL/190KL
Colour	black/silver	black/silver	black/silver
Installation site	front	rear	rear
Applied for E-bikes	e-Cargo,e-Fat,	e-Cargo,e-Fat,	e-Cargo,e-Fat,
Cable routing	side-left	side-left	side-left
Cable length(mm)	200	200	200
Sprocket wheel	N.A.	6~7	8~10
Brake style	Disk-brake	Disk-brake	Disk-brake
Spokes holes	36H	36H	36H
Spokes size	13G/12G	13G/12G	13G/12G
Spokes central distance(mm)	144	144	144
Open size(mm)	135	175/190	175/190
Wheel size(inch)	20/26/28/700C	20/26/28/700C	20/26/28/700C
Voltage(Vdc)	36, 48, 52	36, 48, 52	36, 48, 52
Rated power(W)	350,500,750	350,500,750	350,500,750
Max speed(km/h)	40, 45, 50	40, 45, 50	40, 45, 50
Max torque(N.m)	>90	>90	>90
Reduction ratio	5:1/5.18:1	5:1/5.18:1	7.77:1
Magnet items(pcs)	20	20	20
Speed sensor(pcs)	1~6	1~6	1~6
Efficiency(%)	≥80	≥80	≥80
Work Temperature(°C)	-20~45	-20~45	-20~45
Noise items(dB)	<55	<55	<55
Weight(kg)	3.8	4.0	4.2
Waterproof Level	IP65	IP65	IP65
Shell material	aluminium alloy	aluminium alloy	aluminium alloy

S7 Series	S7-175XR-D	S7-190XR-D	S7-175XL/190XL
Colour	black/silver	black/silver	black/silver
Installation site	rear	rear	rear
Applied for E-bikes	e-Cargo,e-Fat,	e-Cargo,e-Fat,	e-Cargo,e-Fat,
Cable routing	axle-right	axle-right	side-left
Cable length(mm)	200	200	200
Sprocket wheel	6~7	6~7	6~7
Brake style	Disk-brake	Disk-brake	Disk-brake
Spokes holes	36H	36H	36H
Spokes size	13G/12G	13G/12G	13G/12G
Spokes central distance(mm)	145	145	145
Open size(mm)	175	190	175/190
Wheel size(inch)	20/26/28/700C	20/26/28/700C	20/26/28/700C
Voltage(Vdc)	36, 48, 52	36, 48, 52	36, 48, 52
Rated power(W)	350,500,750	350,500,750	350,500,750
Max speed(km/h)	32, 38, 45	32, 38, 45	32, 38, 45
Max torque(N.m)	>75	>75	>75
Reduction ratio	5:1/5.18:1	5:1/5.18:1	5:1/5.18:1
Magnet items(pcs)	20	20	20
Speed sensor(pcs)	1~6	1~6	1~6
Efficiency(%)	≥80	≥80	≥80
Work Temperature(°C)	-20~45	-20~45	-20~45
Noise items(dB)	<55	<55	<55
Weight(kg)	3.9	4.2	3.9/4.2
Waterproof Level	IP65	IP65	IP65
Shell material	aluminium alloy	aluminium alloy	aluminium alloy

S7-135QR-D

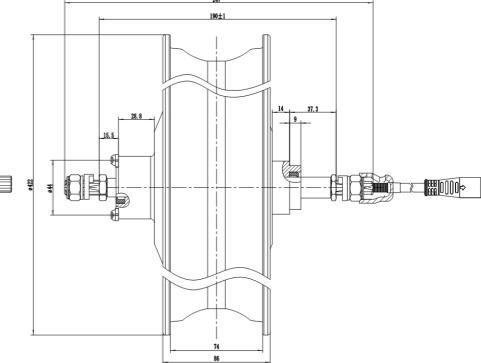
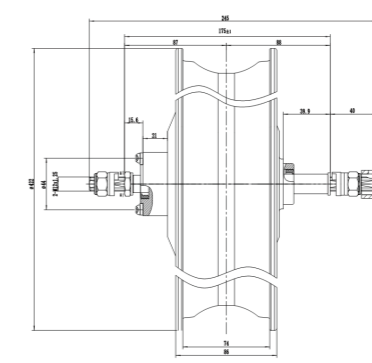
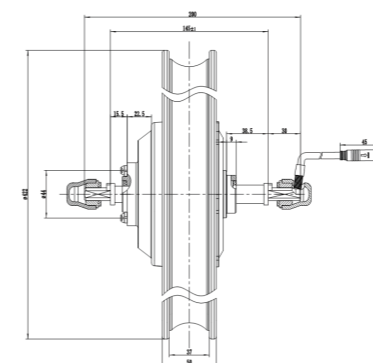
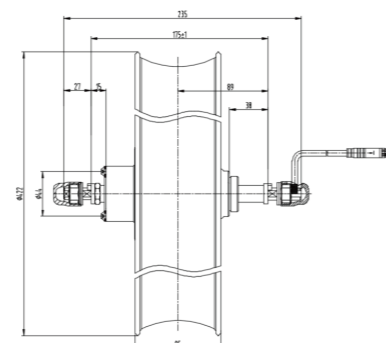
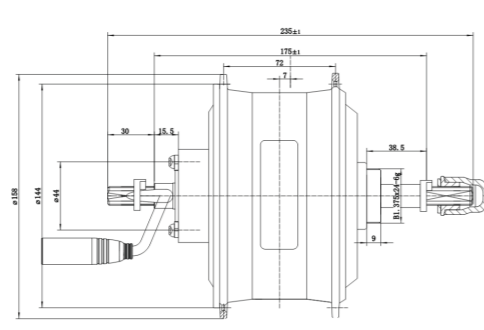
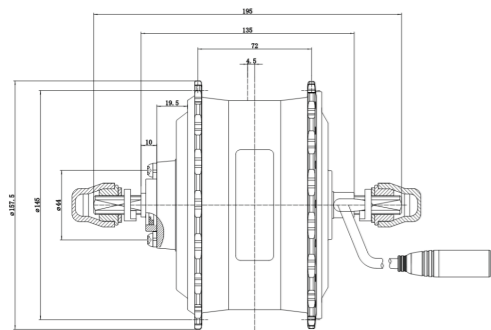
S7-175XL-D

S7-175XRA-20Y-M

S7-145XR-20Y

S7-175XR-20Y

S7-190XR-20Y



D7 Series	S7-135QR-D	S7-175XL-D	S7-175XRA-20Y-M
Colour	black/silver	black/silver	black/white/orange/red/yellow
Installation site	rear	rear	rear
Applied for E-bikes	e-Cargo,e-Fat,	e-Cargo,e-Fat,	e-Fat
Cable routing	side-left	side-left	axle-right
Cable length(mm)	200	200	200
Sprocket wheel	*	6~7	6~7
Brake style	Disk-brake	Disk-brake	Disk-brake
Spokes holes	36H	36H	*
Spokes size	13G/12G	13G/12G	*
Spokes central distance(mm)	144	144	*
Open size(mm)	135	175/190	175
Wheel size(inch)	20/26/28/700C	20/26/28/700C	20
Voltage(Vdc)	36, 48, 52	36, 48, 52	36, 48, 52
Rated power(W)	350,500,750	350,500,750	350,500,750
Max speed(km/h)	40, 45, 50	40, 45, 50	32, 38, 45
Max torque(N.m)	>90	>90	>75
Reduction ratio	5:1/5.18:1	5:1/5.18:1	5:1/5.18:1
Magnet items(pcs)	20	20	20
Speed sensor(pcs)	1~6	1~6	1~6
Efficiency(%)	≥80	≥80	≥80
Work Temperature(°C)	-20~45	-20~45	-20~45
Noise items(dB)	<55	<55	<55
Weight(kg)	4.1	4.2	7.1
Waterproof Level	IP65	IP65	IP65
Shell material	aluminium alloy	aluminium alloy	magnesium alloy

S7 Series	S7-145XR-20Y	S7-175XR-20Y	S7-190XR-20Y
Colour	black/white	black/white/orange/red/yellow	black/white/orange/red/yellow
Installation site	rear	rear	rear
Applied for E-bikes	e-MTB,e-Cargo	e-Fat,	e-Fat
Cable routing	axle-right	axle-right	axle-right
Cable length(mm)	200	200	200
Sprocket wheel	6~7	6~7	6~7
Brake style	Disk-brake	Disk-brake	Disk-brake
Spokes holes	*	*	*
Spokes size	*	*	*
Spokes central distance(mm)	*	*	*
Open size(mm)	145	175	190
Wheel size(inch)	20	20	20
Voltage(Vdc)	36, 48, 52	36, 48, 52	36, 48, 52
Rated power(W)	350,500,750	350,500,750	350,500,750
Max speed(km/h)	32, 38, 45	32, 38, 45	32, 38, 45
Max torque(N.m)	>75	>75	>75
Reduction ratio	5:1/5.18:1	5:1/5.18:1	5:1/5.18:1
Magnet items(pcs)	20	20	20
Speed sensor(pcs)	1~6	1~6	1~6
Efficiency(%)	≥80	≥80	≥80
Work Temperature(°C)	-20~45	-20~45	-20~45
Noise items(dB)	<55	<55	<55
Weight(kg)	4.9	6.6	7.1
Waterproof Level	IP65	IP65	IP65
Shell material	aluminium alloy	aluminium alloy	aluminium alloy
Applied tire size(type)	3.00	4.00	4.00

B7-100QR

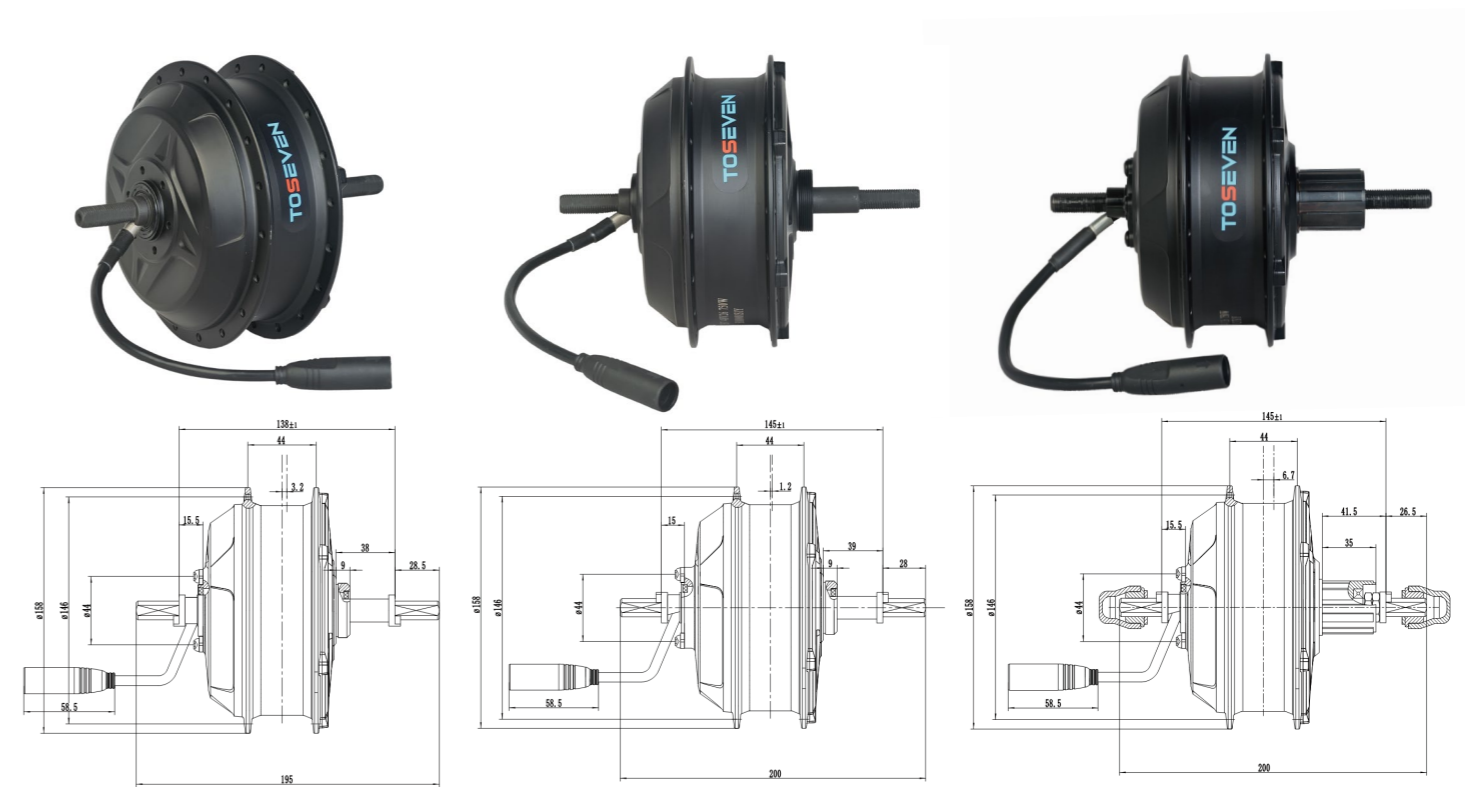
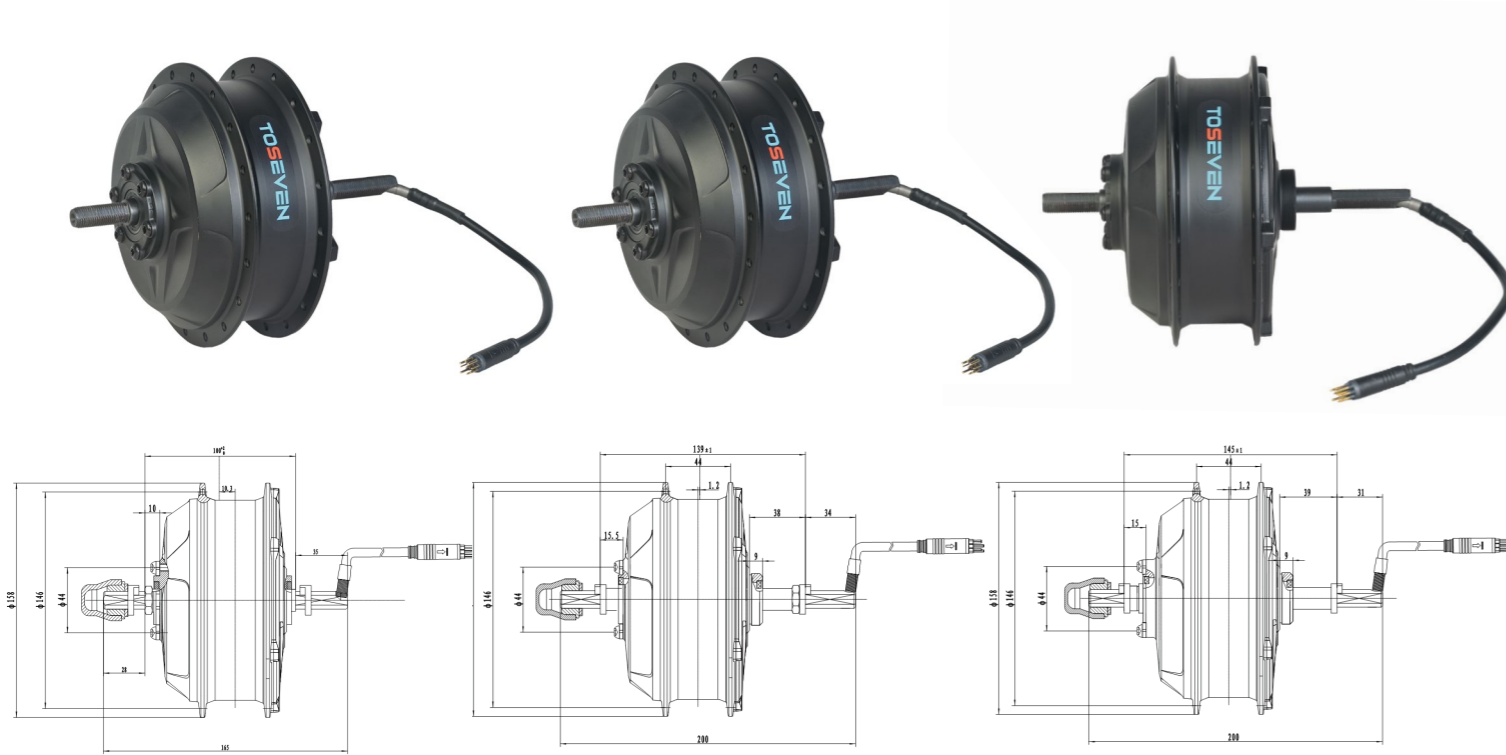
B7-138XR

B7-145XR

B7-138XL

B7-145XL

B7-145KL



B7 Series	B7-100QR	B7-138XR	B7-145XR
Colour	black/silver	black/silver	black/silver
Installation site	front	rear	rear
Applied for E-bikes	e-MTB,e-Cargo	e-MTB,e-Cargo	e-MTB,e-Cargo
Cable routing	side-left	side-left	side-left
Cable length(mm)	200	200	200
Sprocket wheel	N.A.	6~7	6~7
Brake style	Disk-brake	Disk-brake	Disk-brake
Spokes holes	36H	36H	36H
Spokes size	13G/12G	13G/12G	13G/12G
Spokes central distance(mm)	146	146	146
Open size(mm)	100	138	145
Wheel size(inch)	20/26/28/700C	20/26/28/700C	20/26/28/700C
Voltage(Vdc)	36, 48	36, 48	36, 48
Rated power(W)	350,500	350,500	350,500
Max speed(km/h)	32, 38, 45	32, 38, 45	32, 38, 45
Max torque(N.m)	>75	>75	>75
Reduction ratio	7.77:1	7.77:1	7.77:1
Magnet items(pcs)	16	16	16
Speed sensor(pcs)	1~6	1~6	1~6
Efficiency(%)	≥80	≥80	≥80
Work Temperature(°C)	-20~45	-20~45	-20~45
Noise items(dB)	< 55	< 55	< 55
Weight(kg)	3.3	3.5	3.5
Waterproof Level	IP65	IP65	IP65
Shell material	aluminium alloy	aluminium alloy	aluminium alloy

B7 Series	B7-138XL	B7-145XL	B7-145KL
Colour	black/silver	black/silver	black/silver
Installation site	rear	rear	rear
Applied for E-bikes	e-MTB,e-Cargo	e-MTB,e-Cargo	e-MTB,e-Cargo
Cable routing	side-left	side-left	side-left
Cable length(mm)	200	200	200
Sprocket wheel	6~7	6~7	8~10
Brake style	Disk-brake	Disk-brake	Disk-brake
Spokes holes	36H	36H	36H
Spokes size	13G/12G	13G/12G	13G/12G
Spokes central distance(mm)	146	146	146
Open size(mm)	138	145	145
Wheel size(inch)	20/26/28/700C	20/26/28/700C	20/26/28/700C
Voltage(Vdc)	36, 48	36, 48	36, 48
Rated power(W)	350,500	350,500	350,500
Max speed(km/h)	32, 38, 45	32, 38, 45	32, 38, 45
Max torque(N.m)	>75	>75	>75
Reduction ratio	7.77:1	7.77:1	7.77:1
Magnet items(pcs)	16	16	16
Speed sensor(pcs)	1~6	1~6	1~6
Efficiency(%)	≥80	≥80	≥80
Work Temperature(°C)	-20~45	-20~45	-20~45
Noise items(dB)	< 55	< 55	< 55
Weight(kg)	3.5	3.5	3.8
Waterproof Level	IP65	IP65	IP65
Shell material	aluminium alloy	aluminium alloy	aluminium alloy

K7-100QR

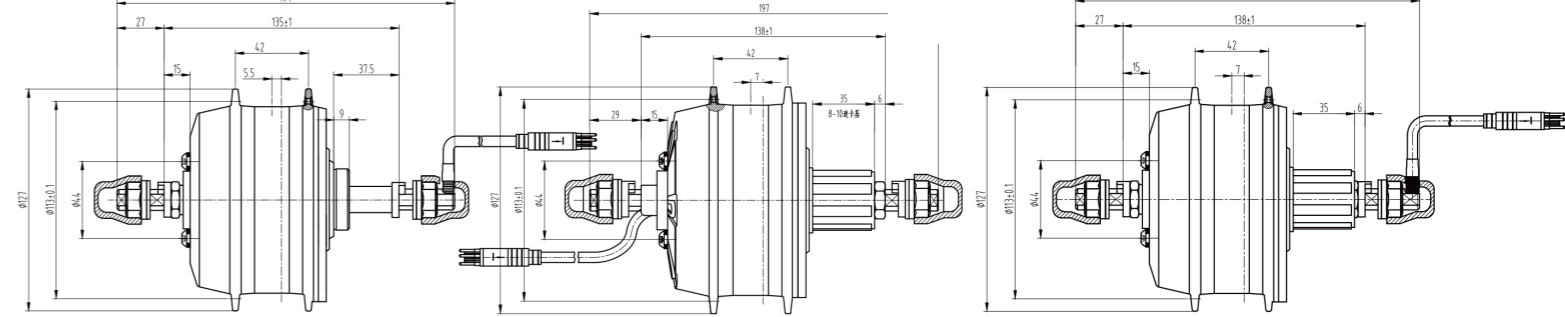
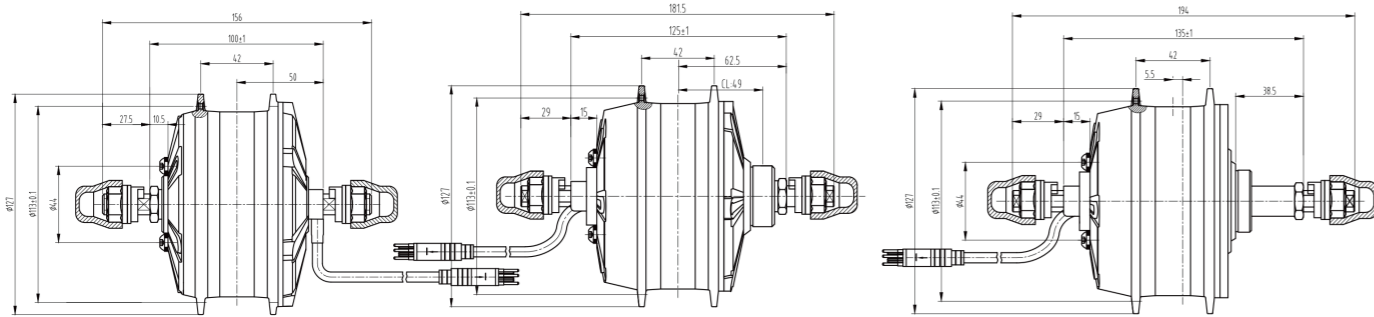
K7-125DL

K7-135XL

K7-135XR

K7-138KL

K7-138KR



K7 Series	K7-100QR	K7-125DL	K7-135XL
Colour	black/silver	black/silver	black/silver
Installation site	front	rear	rear
Applied for E-bikes	e-City,e-Tour,e-Fold	e-City,e-Tour,e-Fold	e-City,e-Tour,e-Fold
Cable routing	side-left	side-left	side-left
Cable length(mm)	200	200	200
Sprocket wheel	N.A.	single	6~7
Brake style	Disk-brake	Disk-brake	Disk-brake
Spokes holes	36	36	36
Spokes size	13G/12G	13G/12G	13G/12G
Spokes central distance(mm)	113	113	113
Open size(mm)	100	125	135
Wheel size(inch)	12/14/16/20/26/28	12/14/16/20/26/28	12/14/16/20/26/28
Voltage(Vdc)	24, 36, 48	24, 36, 48	24, 36, 48
Rated power(W)	250,350	250,350	250,350
Max speed(km/h)	25, 35	25, 35	25, 35
Max torque(N.m)	>45	>45	>45
Reduction ratio	7.33:1	8.14:1	8.14:1
Magnet items(pcs)	16	16	16
Speed sensor(pcs)	1~6	1~6	1~6
Efficiency(%)	≥80	≥80	≥80
Work Temperature(°C)	-20~45	-20~45	-20~45
Noise items(dB)	< 55	< 55	< 55
Weight(kg)	2.1	2.2	2.3
Waterproof Level	IP65	IP65	IP65
Shell material	aluminium alloy	aluminium alloy	aluminium alloy

K7 Series	K7-135XR	K7-138KL	K7-138KR
Colour	black/silver	black/silver	black/silver
Installation site	rear	rear	rear
Applied for E-bikes	e-City,e-Tour,e-Fold	e-City,e-Tour,e-Fold	e-City,e-Tour,e-Fold
Cable routing	axle-right	side-left	axle-right
Cable length(mm)	200	200	200
Sprocket wheel	6~7	8~10	8~10
Brake style	Disk-brake	Disk-brake	Disk-brake
Spokes holes	36	36	36
Spokes size	13G/12G	13G/12G	13G/12G
Spokes central distance(mm)	113	113	113
Open size(mm)	135	138	138
Wheel size(inch)	12/14/16/20/26/28	12/14/16/20/26/28	12/14/16/20/26/28
Voltage(Vdc)	24, 36, 48	24, 36, 48	24, 36, 48
Rated power(W)	250,350	250,350	250,350
Max speed(km/h)	25, 35	25, 35	25, 35
Max torque(N.m)	>45	>45	>45
Reduction ratio	7.33:1	8.14:1	7.33:1
Magnet items(pcs)	16	16	16
Speed sensor(pcs)	1~6	1~6	1~6
Efficiency(%)	≥80	≥80	≥80
Work Temperature(°C)	-20~45	-20~45	-20~45
Noise items(dB)	< 55	< 55	< 55
Weight(kg)	2.2	2.4	2.4
Waterproof Level	IP65	IP65	IP65
Shell material	aluminium alloy	aluminium alloy	aluminium alloy

E7-100QL

E7-120DL

E7-135XL

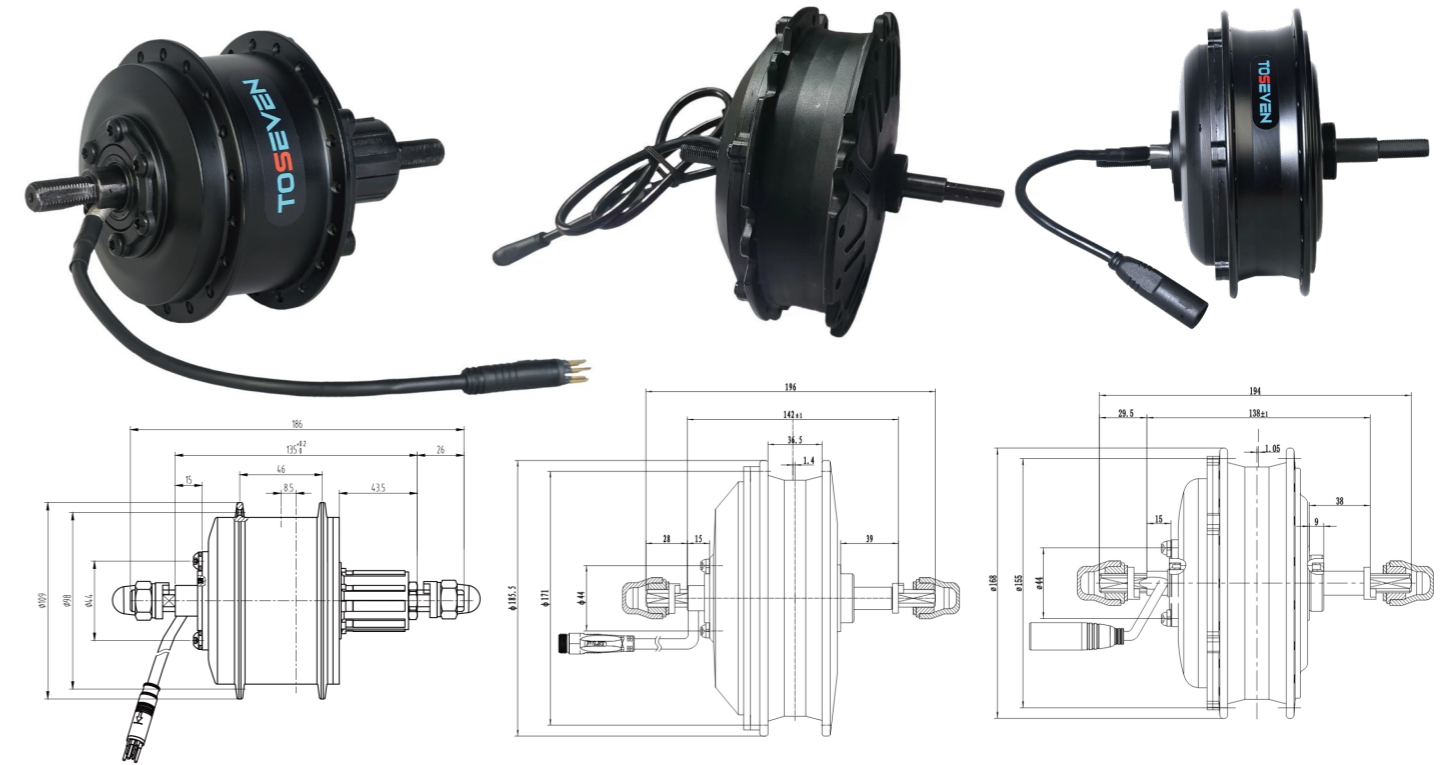


E7 Series	E7-100QL	E7-120DL	E7-135XL
Colour	black/silver	black/silver	black/silver
Installation site	front	rear	rear
Applied for E-bikes	e-City,e-Tour,e-Fold	e-City,e-Tour,e-Fold	e-City,e-Tour,e-Fold
Cable routing	side-left	side-left	side-left
Cable length(mm)	200	200	200
Sprocket wheel	N.A.	single	6~7
Brake style	Disk-brake	Disk-brake	Disk-brake
Spokes holes	36H	36H	36H
Spokes size	13G/12G	13G/12G	13G/12G
Spokes central distance(mm)	98	98	98
Open size(mm)	100	125	135
Wheel size(inch)	12/14/16; 20/26/700C/28	12/14/16; 20/26/700C/28	12/14/16; 20/26/700C/28
Voltage(Vdc)	24, 36, 48	24, 36, 48	24, 36, 48
Rated power(W)	250,350	250,350	250,350
Max speed(km/h)	25, 35	25, 35	25, 35
Max torque(N.m)	> 40	> 40	> 40
Reduction ratio	11:1	11:1	11:1
Magnet items(pcs)	14	14	14
Speed sensor(pcs)	1~6	1~6	1~6
Efficiency(%)	≥ 80	≥ 80	≥ 80
Work Temperature(°C)	-20~45	-20~45	-20~45
Noise items(dB)	< 55	< 55	< 55
Weight(kg)	1.9	1.9	1.9
Waterproof Level	IP65	IP65	IP65
Shell material	aluminium alloy	aluminium alloy	aluminium alloy

E7-135KL

B79-142XL

Q7-138XL



E7 Series	E7-135KL	B79-142XL	Q7-138XL
Colour	black/silver	black/silver	black/silver
Installation site	rear	rear	rear
Applied for E-bikes	e-City,e-Tour,e-Fold	e-MTB,e-Cargo	e-MTB,e-Cargo
Cable routing	side-left	side-left	side-left
Cable length(mm)	200	200	200
Sprocket wheel	8~10	6~7	6~7
Brake style	Disk-brake	Disk-brake	Disk-brake
Spokes holes	36H	36H	36H
Spokes size	13G/12G	10G~12G	13G/12G
Spokes central distance(mm)	98	171	155
Open size(mm)	135	142	138
Wheel size(inch)	12/14/16; 20/26/700C/28	20/26/700C/28	20/26/28/700C
Voltage(Vdc)	24, 36, 48	48,60	36, 48,
Rated power(W)	250,350	750-1000	350,500
Max speed(km/h)	25, 35	30~55	30~38,
Max torque(N.m)	> 40	> 90	> 70
Reduction ratio	11:1	5.18:1	5.2:1
Magnet items(pcs)	14	20	20
Speed sensor(pcs)	1~6	1~6	1~6
Efficiency(%)	≥ 80	≥ 80	≥ 80
Work Temperature(°C)	-20~45	-20~45	-20~45
Noise items(dB)	< 55	< 55	< 55
Weight(kg)	1.9	4.5	3.8
Waterproof Level	IP65	IP65	IP65
Shell material	aluminium alloy	aluminium alloy	aluminium alloy

C7-100QR

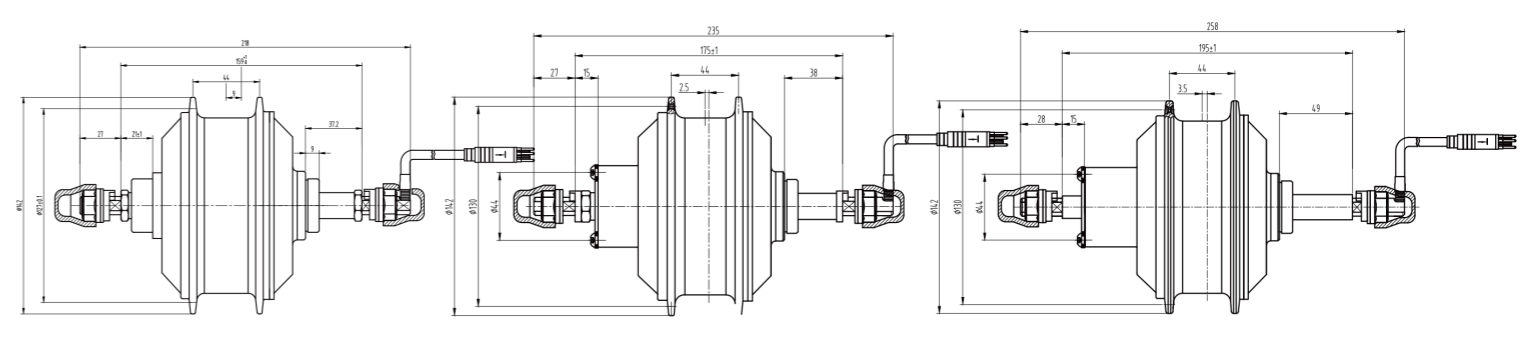
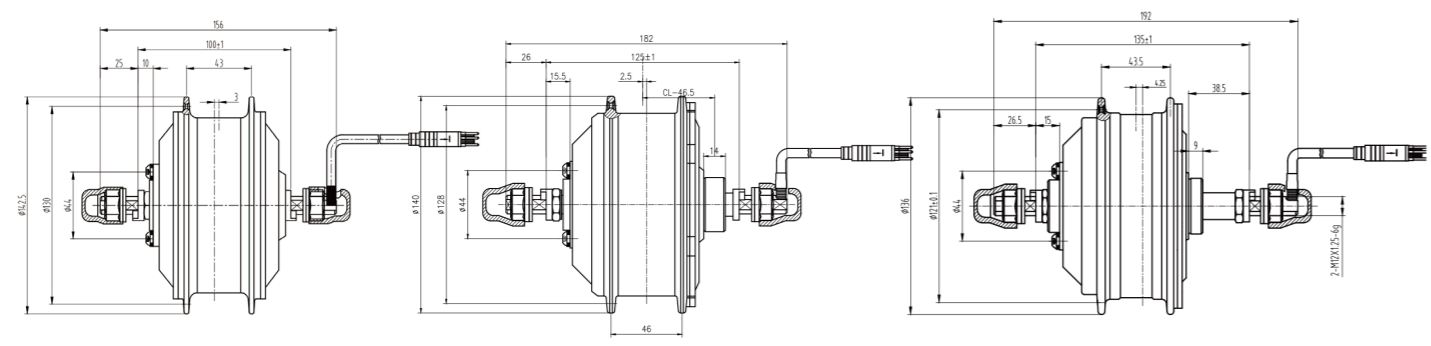
C7-125DR

C7-135XR

C7-160XR

C7-175XR

C7-190XR



C7 Series	C7-100QR	C7-125DR	C7-135XR
Colour	black/silver	black/silver	black/silver
Installation site	front	rear	rear
Applied for E-bikes	e-City,e-Tour	e-City,e-Tour	e-City,e-Tour
Cable routing	axle-right	axle-right	axle-right
Cable length(mm)	200	200	200
Sprocket wheel	N.A	single	6~9
Brake style	Disk-brake	Disk-brake	Disk-brake
Spokes holes	36	36	36
Spokes size	13G/12G	13G/12G	13G/12G
Spokes central distance(mm)	130	128	121
Open size(mm)	100	125	135
Wheel size(inch)	20/26/700C/28	20/26/700C/28	20/26/700C/28
Voltage(Vdc)	24, 36, 48	24, 36, 48	24, 36, 48
Rated power(W)	250,350	250,350	250,350
Max speed(km/h)	25, 35	25, 35	25, 35
Max torque(N.m)	>45	>45	>45
Reduction ratio	5.16:1	5.16:1	5.16:1
Magnet items(pcs)	20	20	20
Speed sensor(pcs)	1~6	1~6	1~6
Efficiency(%)	≥80	≥80	≥80
Work Temperature(°C)	-20~45	-20~45	-20~45
Noise items(dB)	< 55	< 55	< 55
Weight(kg)	2.6	2.7	2.8
Waterproof Level	IP65	IP65	IP65
Shell material	aluminium alloy	aluminium alloy	aluminium alloy

C7 Series	C7-160XR	C7-175XR	C7-190XR
Colour	black/silver	black/silver	black/silver
Installation site	rear	rear	rear
Applied for E-bikes	e-City,e-Tour	e-Fat	e-Fat
Cable routing	axle-right	axle-right	axle-right
Cable length(mm)	200	200	200
Sprocket wheel	6~7	6~7	6~7
Brake style	Expansion/V-brake	Disk-brake	Disk-brake
Spokes holes	36	36	36
Spokes size	13G/12G	13G/12G	13G/12G
Spokes central distance(mm)	130	130	130
Open size(mm)	160	175	190
Wheel size(inch)	20/26/700C/28	20/26/700C/28	20/26/700C/28
Voltage(Vdc)	24, 36, 48	24, 36, 48	24, 36, 48
Rated power(W)	250,350	250,350	250,350
Max speed(km/h)	25, 35	25, 35	25, 35
Max torque(N.m)	>45	>45	>45
Reduction ratio	5.16:1	5.16:1	5.16:1
Magnet items(pcs)	20	20	20
Speed sensor(pcs)	1~6	1~6	1~6
Efficiency(%)	≥80	≥80	≥80
Work Temperature(°C)	-20~45	-20~45	-20~45
Noise items(dB)	< 55	< 55	< 55
Weight(kg)	3.0	3.1	3.2
Waterproof Level	IP65	IP65	IP65
Shell material	aluminium alloy	aluminium alloy	aluminium alloy

C7-125XR-12Y

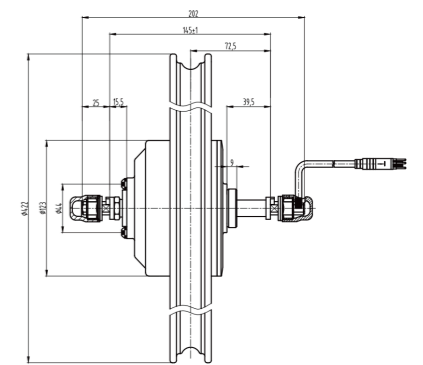
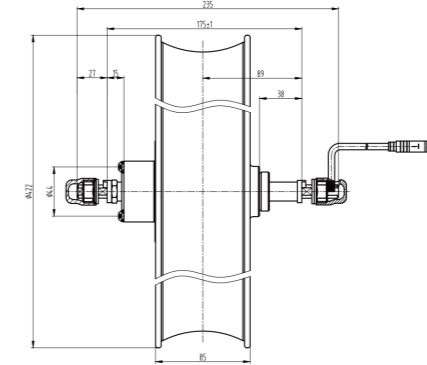
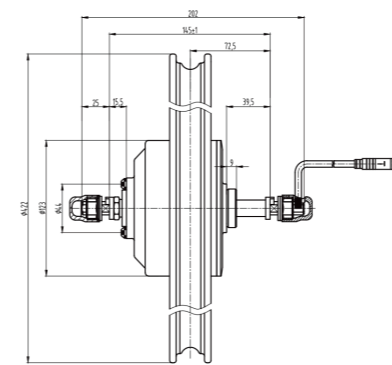
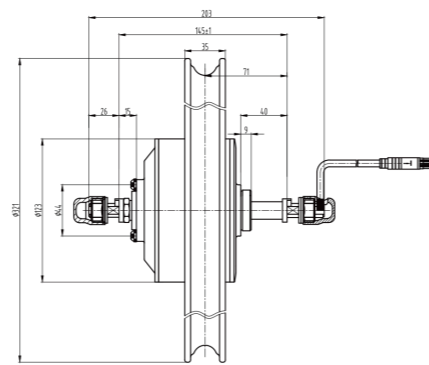
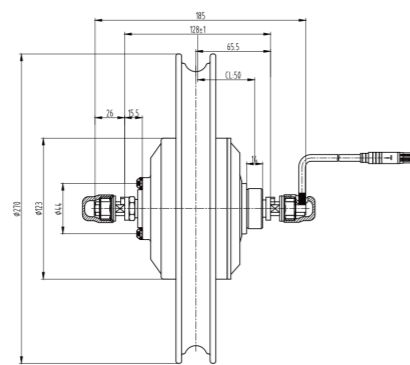
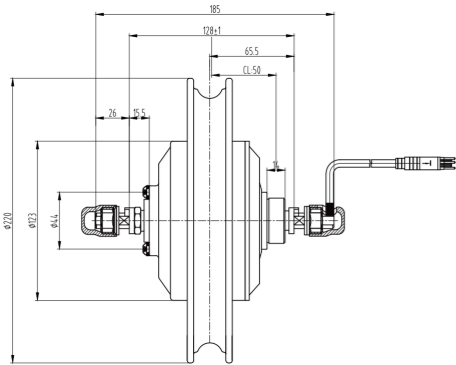
C7-125XR-14Y

C7-145XR-16Y

C7-145XR-20Y

C7-175XR-20Y

C7-145XR-20Y



C7 Series	C7-125XR-12Y	C7-125XR-14Y	C7-145XR-16Y
Colour	black/silver	black/silver	black/silver
Installation site	rear	rear	rear
Applied for E-bikes	e-Road,e-City	e-Road,e-City	e-Road,e-City
Cable routing	axle-right	axle-right	axle-right
Cable length(mm)	200	200	200
Sprocket wheel	6~7	6~7	6~7
Brake style	Disk-brake	Disk-brake	Disk-brake
Spokes holes	*	*	*
Spokes size	*	*	*
Spokes central distance(mm)	*	*	*
Open size(mm)	128	128	135
Wheel size(inch)	12	14	16
Voltage(Vdc)	24, 36, 48	24, 36, 48	24, 36, 48
Rated power(W)	250,350	250,350	250,350
Max speed(km/h)	25, 35	25, 35	25, 35
Max torque(N.m)	>45	>45	>45
Reduction ratio	5.16:1	5.16:1	5.16:1
Magnet items(pcs)	20	20	20
Speed sensor(pcs)	1~6	1~6	1~6
Efficiency(%)	≥80	≥80	≥80
Work Temperature(°C)	-20~45	-20~45	-20~45
Noise items(dB)	<50	<50	<55
Weight(kg)	3.4	3.5	3.6
Waterproof Level	IP65	IP65	IP65
Shell material	aluminium alloy	aluminium alloy	aluminium alloy
Applied tire size(type)	1.75~2.50	1.75~2.50	1.75~2.75

C7 Series	C7-145XR-20Y	C7-175XR-20Y	C7-145XR-20Y
Colour	black/red/orange/white	black/silver	black/red/orange/white
Installation site	rear	rear	rear
Applied for E-bikes	e-Road,e-City	e-Fat,e-Cargo,	e-Road,e-City
Cable routing	axle-right	axle-right	axle-right
Cable length(mm)	200	200	200
Sprocket wheel	6~7	6~7	6~7
Brake style	Disk-brake	Disk-brake	Disk-brake
Spokes holes	*	*	*
Spokes size	*	*	*
Spokes central distance(mm)	*	*	*
Open size(mm)	145	175	145
Wheel size(inch)	20	20	20
Voltage(Vdc)	24, 36, 48	24, 36, 48	24, 36, 48
Rated power(W)	250,350,500	250,350,500	250,350,500
Max speed(km/h)	25, 35, 42	25, 35, 42	25, 35, 42
Max torque(N.m)	>45	>45	>45
Reduction ratio	5.16:1	5.16:1	5.16:1
Magnet items(pcs)	20	20	20
Speed sensor(pcs)	1~6	1~6	1~6
Efficiency(%)	≥80	≥80	≥80
Work Temperature(°C)	-20~45	-20~45	-20~45
Noise items(dB)	<55	<55	<55
Weight(kg)	4.2	5.1	4.2
Waterproof Level	IP65	IP65	IP65
Shell material	aluminium alloy	aluminium alloy	magnesium alloy
Applied tire size(type)	1.75~2.75	4.00	1.75~2.75

ZMP-200RS-10Y

ZMP-200RS-12Y

ZMP-200RS-14Y

ZMP-200RS-16Y

ZMP-200RS-17Y

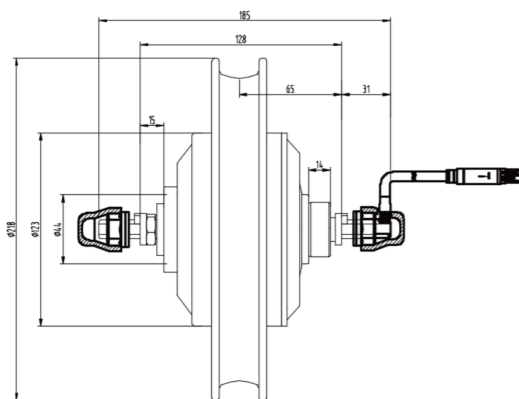
ZM07-120RS



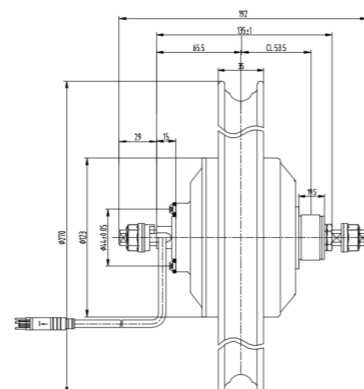
ZMP Series	ZMP-200RS-10Y	ZMP-200RS-12Y	ZMP-200RS-14Y
Colour	black	black	black
Installation site	rear	rear	rear
Applied for E-bikes	e-motor	e-motor	e-motor
Cable routing	axle-right	axle-right	axle-right
Cable length(mm)	1150	1150	1150
Sprocket wheel	*	*	*
Brake style	Disk-brake	Disk-brake	Disk-brake
Spokes holes	*	*	*
Spokes size	*	*	*
Spokes central distance(mm)	*	*	*
Open size(mm)	200-230	200-230	200-230
Wheel size(inch)	10	12	14
Voltage(Vdc)	60~72	60~72	60~72
Rated power(W)	1500-3000	1500-8000	1500-8000
Max speed(km/h)	100	130	120
Max torque(N.m)	130	230	250
Reduction ratio	1:1	1:1	1:1
Magnet items(pcs)	24-30	24-30	24-30
Speed sensor(pcs)	1~6	1~6	1~6
Efficiency(%)	≥ 80	≥ 80	≥ 80
Work Temperature(°C)	-20~50	-20~50	-20~50
Noise items(dB)	< 70	< 70	< 70
Weight(kg)	15.0	15.0	16.0
Waterproof Level	IP65	IP65	IP65
Shell material	aluminium alloy	aluminium alloy	aluminium alloy
Applied tire size(type)	3.00	4.00	3.50

ZMP Series	ZMP-200RS-16Y	ZMP-200RS-17Y	ZM07-120RS
Colour	black	black	black
Installation site	rear	rear	rear
Applied for E-bikes	e-motor	e-motor	e-scooter
Cable routing	axle-right	axle-right	axle-right
Cable length(mm)	1150	1150	300
Sprocket wheel	*	*	*
Brake style	Disk-brake	Disk-brake	*
Spokes holes	*	*	*
Spokes size	*	*	*
Spokes central distance(mm)	*	*	*
Open size(mm)	200-230	200-230	135
Wheel size(inch)	16	17	10
Voltage(Vdc)	60~72	60~72	24, 36, 48
Rated power(W)	1500-8000	1500-8000	250,350
Max speed(km/h)	120	150	25
Max torque(N.m)	250	250	*
Reduction ratio	1:1	1:1	1:1
Magnet items(pcs)	24-30	24-30	30
Speed sensor(pcs)	1~6	1~6	1~6
Efficiency(%)	≥ 80	≥ 80	≥ 80
Work Temperature(°C)	-20~50	-20~50	-20~50
Noise items(dB)	< 70	< 70	< 70
Weight(kg)	16.0	20.0	45451.0
Waterproof Level	IP65	IP65	IP65
Shell material	aluminium alloy	aluminium alloy	aluminium alloy
Applied tire size(type)	3.50	3.0~5.0	3.00

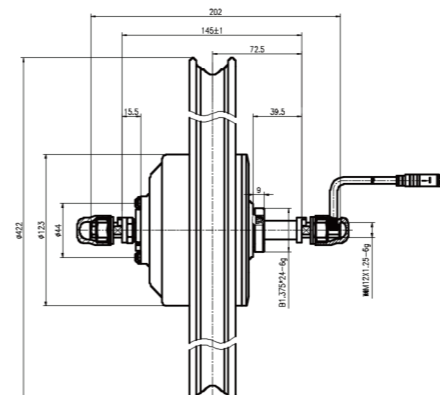
C7-128DRA-12Y



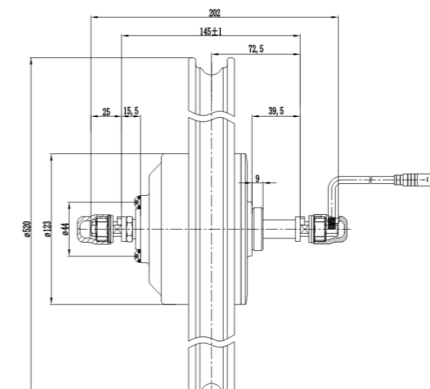
C7-135XRA-14Y



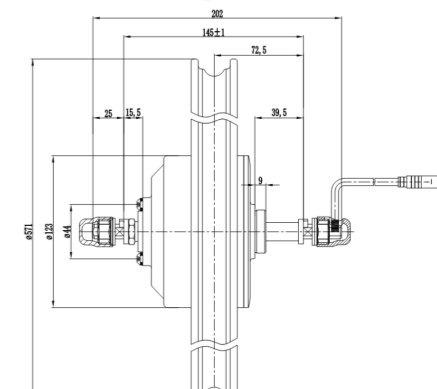
C7-145XRA-20Y



C7-145XRA-24Y



C7-145XRA-26Y



C7 Series	C7-128DRA-12Y	C7-135XRA-14Y
Colour	black/silver	black/silver
Installation site	rear	rear
Applied for E-bikes	e-Road,e-City	e-Road,e-City
Cable routing	axle-right	axle-right
Cable length(mm)	200	200
Sprocket wheel	single	single
Brake style	Disk-brake	Disk-brake
Spokes holes	*	*
Spokes size	*	*
Spokes central distance(mm)	*	*
Open size(mm)	128	128
Wheel size(inch)	12	14
Voltage(Vdc)	24, 36, 48	24, 36, 48
Rated power(W)	250,350	250,350
Max speed(km/h)	25, 35	25, 35
Max torque(N.m)	>45	>45
Reduction ratio	5.16:1	5.16:1
Magnet items(pcs)	20	20
Speed sensor(pcs)	1~6	1~6
Efficiency(%)	≥80	≥80
Work Temperature(°C)	-20~45	-20~45
Noise items(dB)	<55	<55
Weight(kg)	3.4	3.5
Waterproof Level	IP65	IP65
Shell material	aluminium alloy	aluminium alloy
Applied tire size(type)	1.75~2.50	1.75~2.50

C7 Series	C7-145XRA-20Y	C7-145XRA-24Y	C7-145XRA-26Y
Colour	black/silver	black/silver	black/silver
Installation site	rear	rear	rear
Applied for E-bikes	e-Road,e-City	e-Road,e-City	e-Road,e-City
Cable routing	axle-right	axle-right	axle-right
Cable length(mm)	200	200	200
Sprocket wheel	1	1	1
Brake style	Disk-brake	Disk-brake	Disk-brake
Spokes holes	*	*	*
Spokes size	*	*	*
Spokes central distance(mm)	*	*	*
Open size(mm)	145	145	145
Wheel size(inch)	20	24	26
Voltage(Vdc)	24, 36, 48	24, 36, 48	24, 36, 48
Rated power(W)	250,350	250,350	250,350
Max speed(km/h)	25, 35	25, 35	25, 35
Max torque(N.m)	>45	>45	>45
Reduction ratio	5.16:1	5.16:1	5.16:1
Magnet items(pcs)	20	20	20
Speed sensor(pcs)	1~6	1~6	1~6
Efficiency(%)	≥80	≥80	≥80
Work Temperature(°C)	-20~45	-20~45	-20~45
Noise items(dB)	<55	<55	<55
Weight(kg)	3.6	3.8	3.9
Waterproof Level	IP65	IP65	IP65
Shell material	magnesium alloy	magnesium alloy	magnesium alloy
Applied tire size(type)	1.75~2.50	1.75~2.50	1.75~2.50

C7-137XL-D

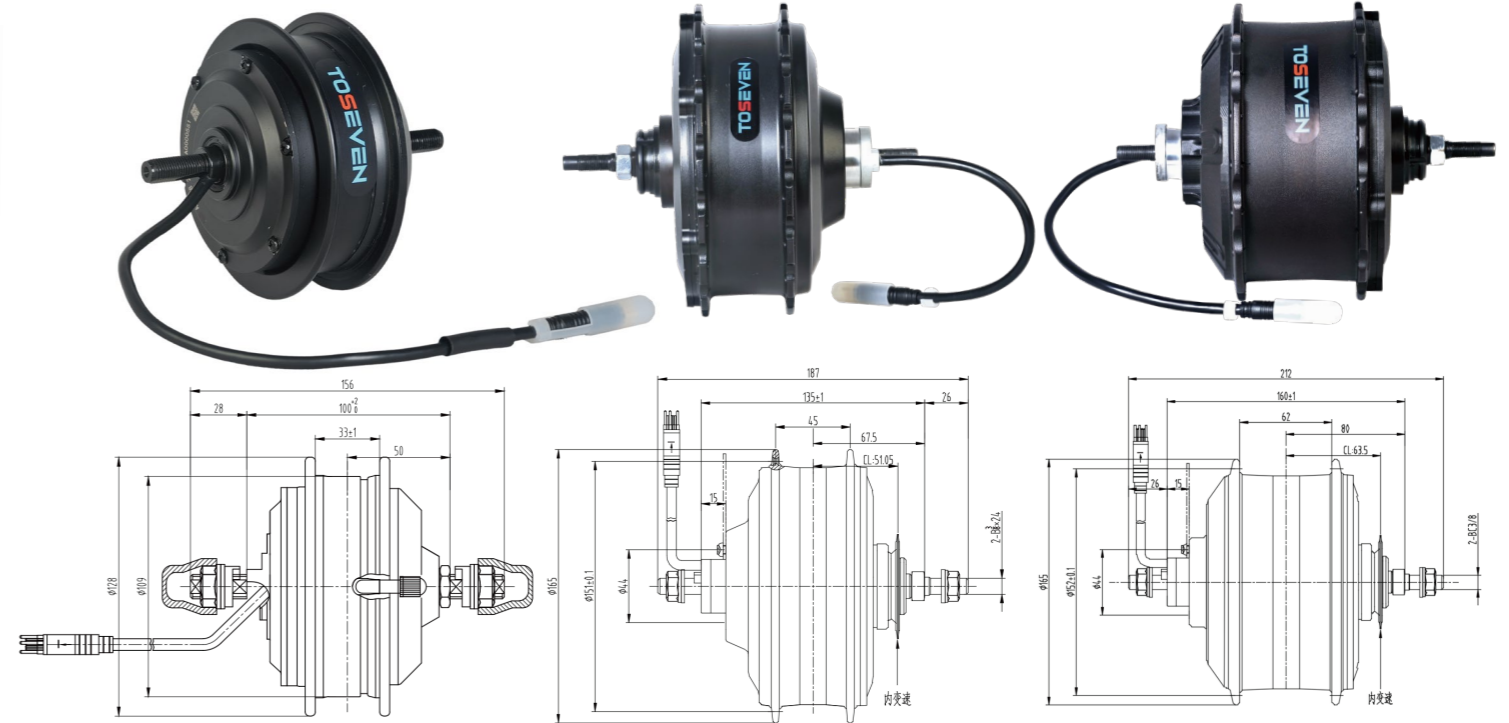
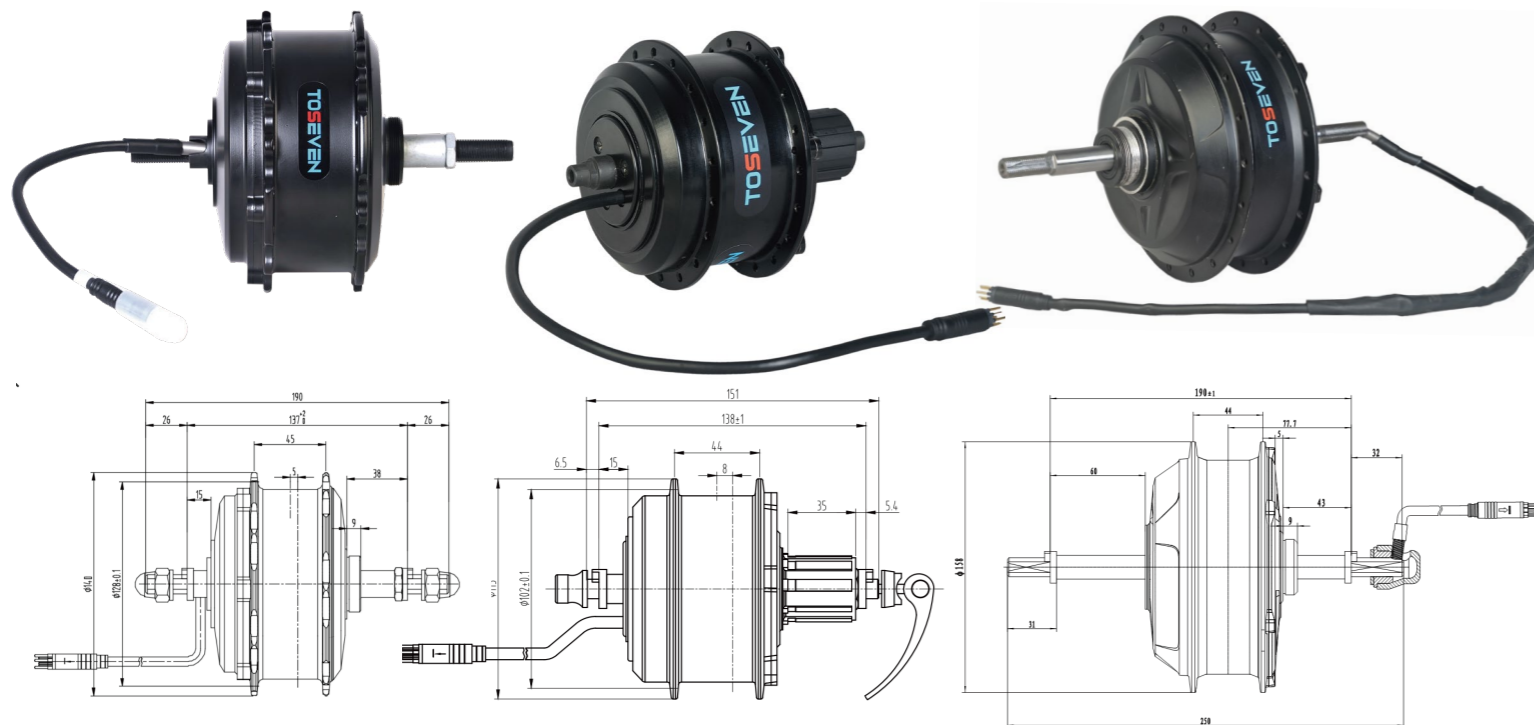
M7-138KL

B7-190CS(differential)

A7-100YL-8'

L7-135N3LS (inner shifters)

L7-160N3LS (inner shifters)



Designated Series	C7-137XL-D	M7-138KL	B7-190CS(differential)
Colour	black/silver	black/silver	black/silver
Installation site	rear	rear	rear
Applied for E-bikes	e-City,e-Tour,e-Road	e-City,e-Tour,e-Road	e-Cargo,
Cable routing	side-left	side-left	axle-right
Cable length(mm)	200	200	200
Sprocket wheel	7	8~9	Left 1 / Right 9
Brake style	Disk-brake	Disk-brake	Disk-brake
Spokes holes	36H	36H	*
Spokes size	13G/12G	13G/12G	*
Spokes central distance(mm)	151	102	*
Open size(mm)	137	138	190
Wheel size(inch)	26/28/700C	20/26/28/700C	20/26/28/700C
Voltage(Vdc)	36, 48	36, 48	36, 48, 52
Rated power(W)	250,350	250,350	350,500,750
Max speed(km/h)	25, 35	25, 35	32, 38, 45
Max torque(N.m)	>45	>40	>75
Reduction ratio	5.16:1	6.9:1	7.77:1
Magnet items(pcs)	20	16	16
Speed sensor(pcs)	1~6	1~6	1~6
Efficiency(%)	≥80	≥80	≥80
Work Temperature(°C)	-20~45	-20~45	-20~45
Noise items(dB)	< 55	< 55	< 55
Weight(kg)	3.2	1.9	3.5
Waterproof Level	IP65	IP65	IP65
Shell material	aluminium alloy	aluminium alloy	aluminium alloy

Designated Series	A7-100YL-8'	L7-135N3LS (inner shifters)	L7-160N3LS (inner shifters)
Colour	black/silver	black/silver	black/silver
Installation site	rear	front	front
Applied for E-bikes	e-Wheelchair	e-City,e-Tour,e-Road	e-City,e-Tour,e-Road
Cable routing	side-left	side-left	side-left
Cable length(mm)	350	200	200
Sprocket wheel	*	3 inner shifters	3 inner shifters
Brake style	*	Disk-brake	Disk-brake
Spokes holes	*	36H	36H
Spokes size	*	13G/12G	13G/12G
Spokes central distance(mm)	*	151	151
Open size(mm)	100	135	160
Wheel size(inch)	8	26/28/700C	26/28/700C
Voltage(Vdc)	24, 36	36, 48	36, 48
Rated power(W)	250,350	250,350	250,350
Max speed(km/h)	8~12	25, 35	25, 35
Max torque(N.m)	>40	>36	>40
Reduction ratio	5.61:1/4.16:1	1:1	1:1
Magnet items(pcs)	16	40	40
Speed sensor(pcs)	1~6	1~6	1~6
Efficiency(%)	≥80	≥80	≥80
Work Temperature(°C)	-20~45	-20~45	-20~45
Noise items(dB)	< 55	< 55	< 55
Weight(kg)	1.9	3.2	3.5
Waterproof Level	IP65	IP65	IP65
Shell material	aluminium alloy	aluminium alloy	aluminium alloy

MOTOR 13

T24-H1



135C



T35-V1



items of types	T24-H1	135C	T35-V1
Display	2.4-inch TFT color	3.5-inch TFT color	3.5-inch TFT color
Operator	silicon button	4-button silicone button	silicone button
Detachable double stand	*	Brakex2 turn handlex1 Operatorx1	Brakex2 turn handlex1 Operatorx1
Operating voltage(VDC)	15-60	15-90	15-90
Waterproof rating	IP65	IP65	IP65
Working temperature(°C)	-20-45	-20-45	-20-45

Controller 1



Description:6 mos. 15A

Controller 2



Description:9 mos. 25A

Motor with spokes



Handlebar with accelerator



Light cable



Tooth plate



Shift sensor



MOTOR 13

T154



M15



items of types	T154	M15
Display	1.54-inch TFT color	1.54-inch TFT color
Operator	silicon button	silicon button
Operating voltage(VDC)	15-60	15-60
Waterproof rating	IP65	IP65
Working temperature(°C)	-20-45	-20-45

Button for controller



Integrated disc sensor



Bus cable



Crankset BCD104



Lock nuts and wrench



Programmer and related cables



speed sesor



K7/C7/E7 series



Hub motor systems

Related motor series	K7/C7/E7 series
Controller	6 mos. 15A
Displayer	M15

D79/D7/B7/S7 series



Hub motor systems

Related motor series	D79/D7/B7/S7 series
Controller	9 mos. 25A
Displayer	T24

Front/Rear Ebike Hub Motor Conversion Kit



Wheel Size	20"/26"/27.5"/700C
Power	500W/750W/1000W/1200W/1500W